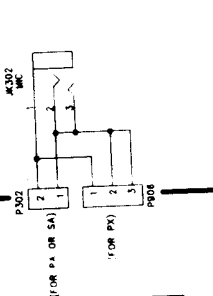


OMPIARY PRUIEW TECHNOLOGY (SUNNYVALE) 0110

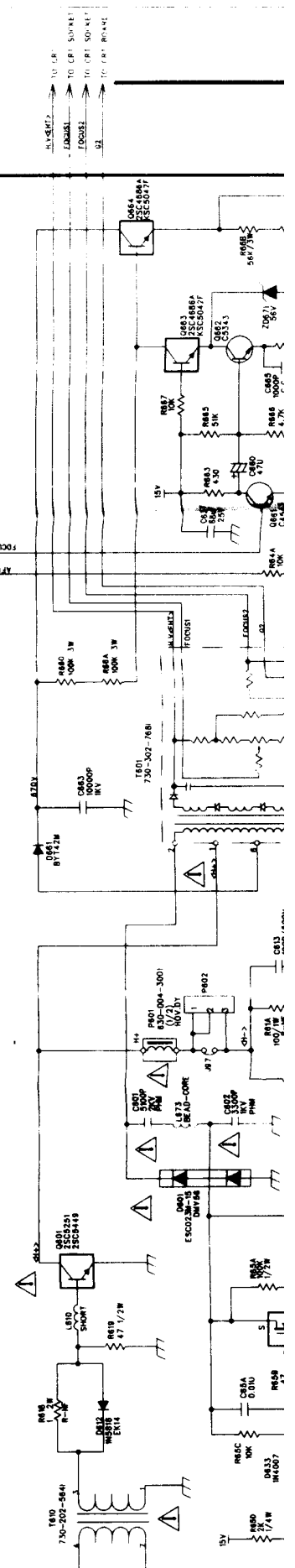
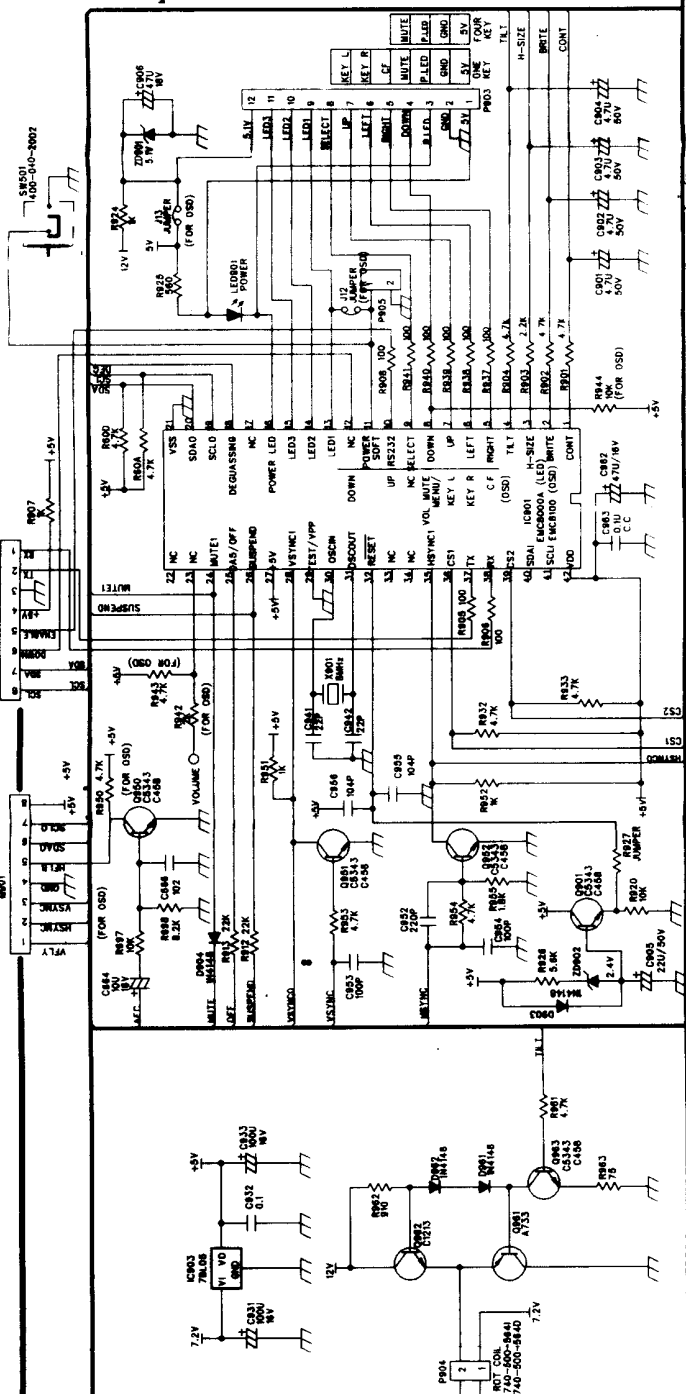
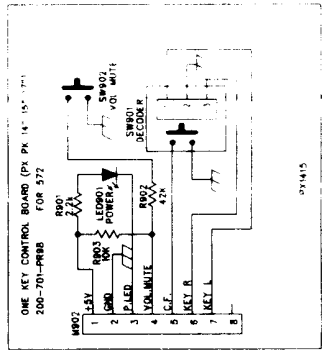
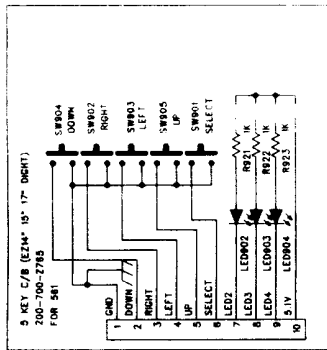
FILE	PRO98	SERIES	
MODE	577 561 772 975 561 462	DRAWING NO.	200-100-448
DATE	11/18/80	DATE	
DESIGNED	WELLES	DATE	
CHECKED		DATE	
APPROVED		DATE	
REV		REV	

DATE	11/18/80
DESIGNED	WELLES
CHECKED	
APPROVED	



BA-OUT	12V	0.001	0.01	0.1	1	10	100	1000
BA-OUT	12V	0.001	0.01	0.1	1	10	100	1000
BA-OUT	12V	0.001	0.01	0.1	1	10	100	1000
BA-OUT	12V	0.001	0.01	0.1	1	10	100	1000
BA-OUT	12V	0.001	0.01	0.1	1	10	100	1000

FCC ID: IFE 1112



TO L.F.
TO G.P. SW. NET
TO G.P. SW. NET
TO G.P. SW. NET
TO G.P. SW. NET